

## BALL VALVE ONE PIECE PNEUMATIC ACTUATOR CLASS 150/300 REDUCE PORT

## DOUBLE ACTING

### MATERIAL SPECIFICATIONS

NO.	Part Name	Material		
1.	BODY	WCB / A105	CF8	CF8/ CF8M
2.	BALL	CF8 / CF8M	SS304 / SS316	
3.	SEAT	PTFE		
4.	SPINDLE	SS304 / SS316		
5.	GLAND BUSH	SS304 / SS316		
6.	HANDLE	N/A		
7.	STUD & NUT	A 193 Gr. B7 / A 194 Gr. 2H		
8.	BODY PACKING	VITON / GRAFOIL / PTFE		
9.	STEM PACKING	GFT/ VITON / GRAFOIL / PTFE		
10.	BOTTOM WASHER	PTFE		
11.	END PIECE	WCB / A105	CF8	CF8/ CF8M
12.	LOCK NUT	AISI 316		
13.	GLAND FLANGE	WCB		
14.	NAME PLATE	SS / AL		
15.	END PIECE	WCB / A105	CF8	CF8/ CF8M
16.	NAME PLATE	SS / AL		
17.	ACTUATOR ASSLY.	DOUBLE ACTING		
18.	LIMIT SWITCH	UTVC Make		
19.	SOLENOID VALVE			

### REF STANDARDS

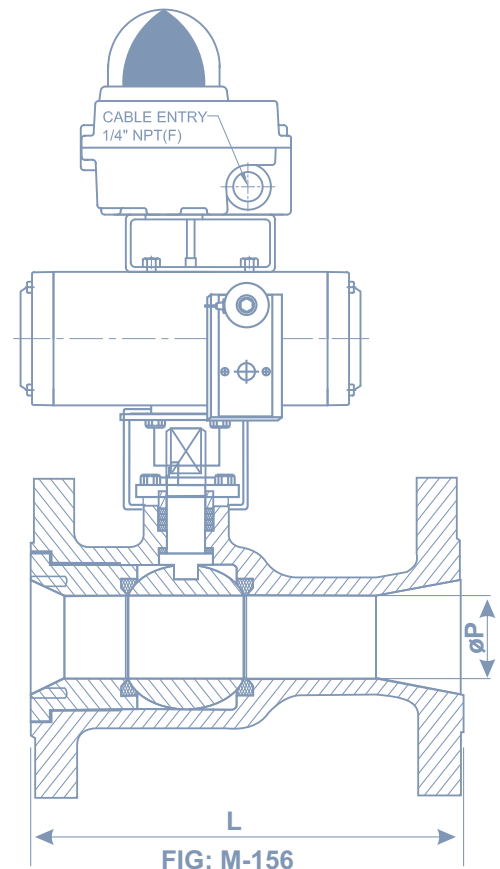
MFG. AND DESIGN :BS 5351
FACE TO FACE : ANSI B 1610
FLANGE DETAIL : ANSI B16.5
INSPECTION AND TESTING : AP1598 / BS 6755

### TESTING DETAIL 150

Hydrotest {KG/CM <sup>2</sup> }	
Shell	31
Seat and Back Seat	22
Seat Air Test	07

### TESTING DETAIL 300

Hydrotest {KG/CM <sup>2</sup> }	
Shell	79
Seat and Back Seat	58
Seat Air Test	07



### DIMENSION TABLE 150 CLASS

Valve Size in mm	1	1.5	2	2.5	3	4	6
L	5.0	6.5	7.0	7.5	8.0	9.0	10.5
ØP	17	28	36	50	57	75	98
Valve Wt. kg app (F/E)	3	6	8.5	17	21	30	42

### DIMENSION TABLE 300 CLASS

Valve Size in mm	1	1.5	2	2.5	3	4	6
L	6.5	7.5	8.5	9.5	11.1	12.5	15.9
ØP	17	28	36	50	57	75	98
Valve Wt. kg app (F/E)	6	9	16	29	33	45	85